

# The models

## 24V Barrier

**G12000** Automatic varnished galvanised steel barrier featuring two 24V D.C. gearmotors, complete with built-in control panel

### Accessories

- G0121** White varnished aluminium tube bar made up of:  
 1 fixed support leg  
 1 tube bar L = 6200 mm D = 120 mm  
 1 tube bar L = 6000 mm D = 100 mm  
 1 bar assembly reductor
- G0461** Red reflective adhesive strips for the bar (set of 24)
- LB38** Emergency battery card (three 12V - 7Ah emergency batteries)

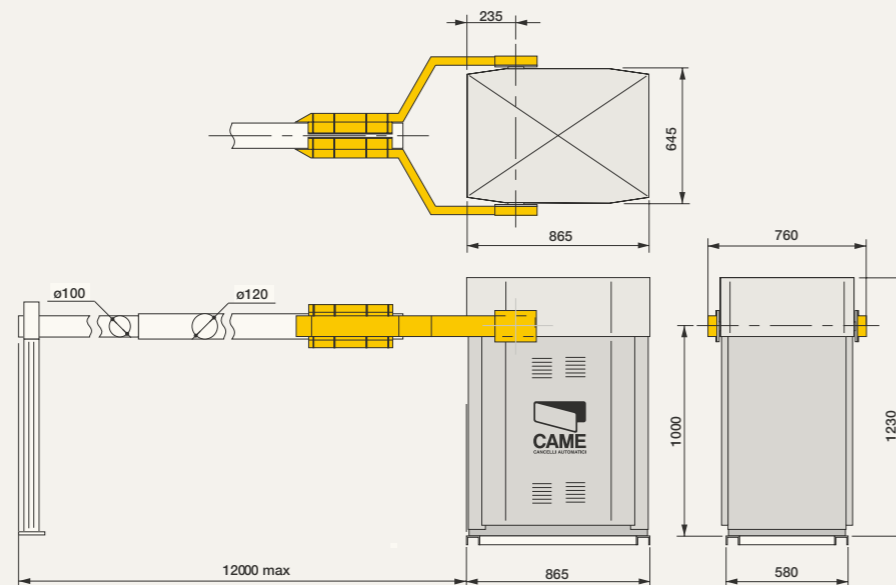
### Technical features:

Type	G12000
Degree of protection	IP54
Control Panel Power Supply	230V A.C. (50/60Hz)
Motor Power supply	24V D.C.
Absorbed input	15A
Max power	300W
Manoeuvre time	10s
Operation/Intermittence	50%
Max torque	600 Nm
Operating temperature	-20°C ÷ +55°C

### Limits to use:

Max length of the bar	12 m
-----------------------	------

### Dimensions:



Automatic road barriers with opening clearance of up to 12 m/34.4 ft



# GARD12

## The barrier for large clearance passageways

GARD12 is a truly unique automation system. A special version which operates a bar up to 12m long to manage special passage ways such as in industrial loading bays, materials receiving and highways.



Made in Italy



For its quality processes management Came Cancelli Automatici is ISO 9001:2000 certified, and for its environmental management it is ISO 14001 certified. Came designs and manufactures entirely in Italy.



Came cancelli automatici S.p.a.

via Martiri della Libertà, 15  
 31030 Dossan di Casier  
 Treviso - Italy

www.came.it - info@came.it

© CAME DEP5735 06/2006

The data and information shown in this catalogue are subject to change without the obligation to give prior notice by CAME cancelli automatici S.p.A.



# GARD12

The barrier for those special passageways

G12000 is a specifically engineered automation device for large clearance industrial passage ways. A tube bar of different sections, lets a 12 meter passageway be opened and closed in just 10 seconds, as is often required in loading and unloading situations.

## The 24V electronics

The GARD12000 new generation electronics provide for total control of the system, improving the usual command and safety functions:

> **Obstacle detection**

A special electronic circuit constantly analyses the proper functioning of the barrier, and will either stop or invert the mode, if it comes into contact with any obstructions.

> **Delayed motion during opening or closing**

The electronics featured in GARD1200 can slow down the bar in the final stages of opening or closing - making the closing of the gate safer.

> **Black outs no more**

The 24V GARD 12000 automatically detects any interruption in the power source and immediately activates the emergency mode through the auxiliary batteries.



**Double motor, double lasting power.** GARD 12000 is equipped with nothing other than 2 gearmotors, which are installed along the same axis and provide remarkable torque.



**Counterweighted balancing.** This ensures safe and reliable motion of the bar, even when used frequently.



**Integration and modularity.** A special automation system which perfectly integrates with all the CAME command and safety accessories.

An unrivaled automation device



**Balanced by counterweights.** Adjustable by way of steel modules that can be added or removed depending on the length of the bar.

**MODULAR tube bar.** The rounded section, with its differentiated diameters allows for easy carrying and reduced wind resistance.

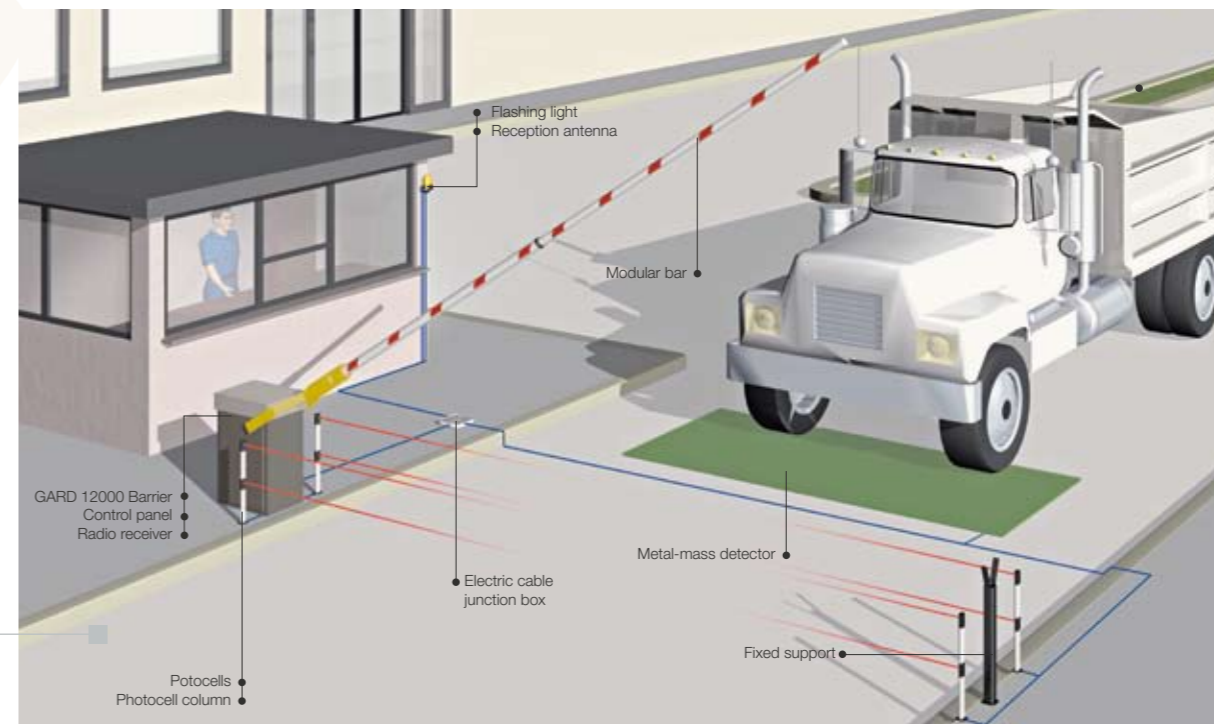
**Always safe.** An electronic contact automatically cuts off the power supply each time the inspection door is opened.

**Command electronics.** It is located in an easy-to-reach position to aid scheduled maintenance operation and is protected from environmental agents.

**Global access control.** Every CAME automatic barrier, can be connected to the series of different access control systems which enable to identify, memorise, and clear the entry or exit of authorised personnel only. The system can thus be integrated with a more extensive access control system - like, for example with different company departments or with any service offered by large structures or condominiums.



### Standard installation:



In the event a careful analysis of the automated gate's risks were to require it, the use of sensitive safety infrared or contact profiles becomes indispensable.