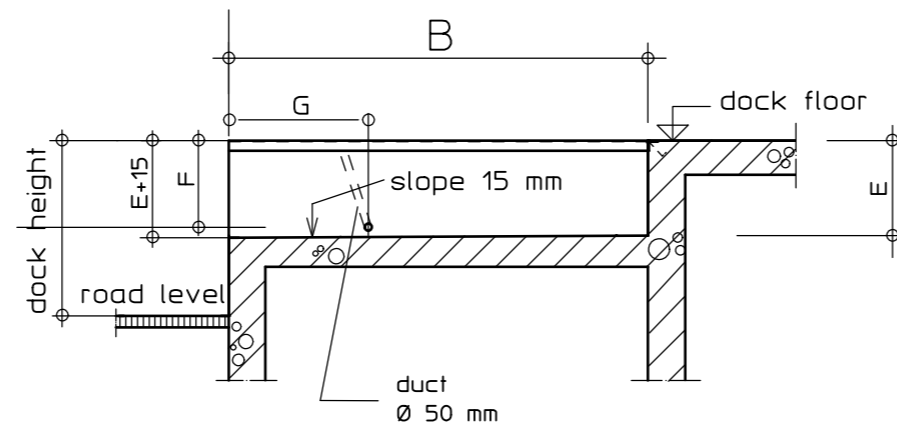
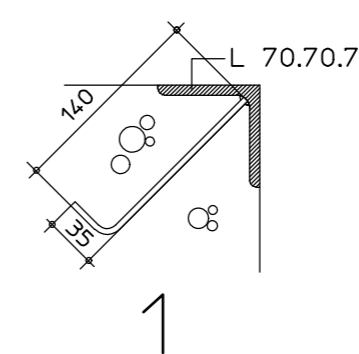


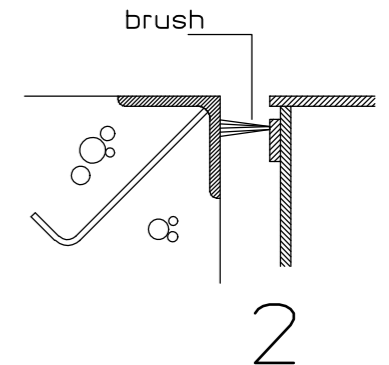
TOP VIEW



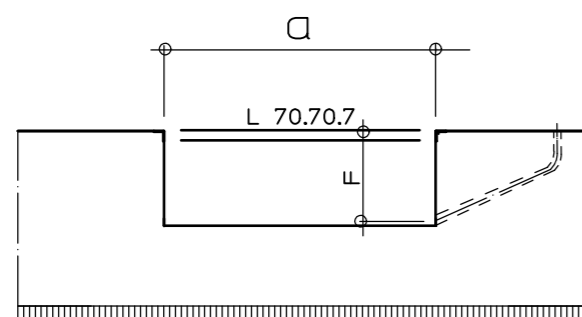
SECTION A-A



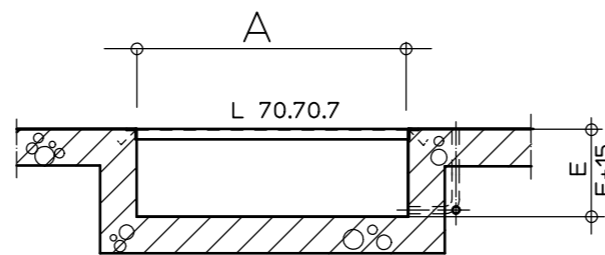
SECTION C



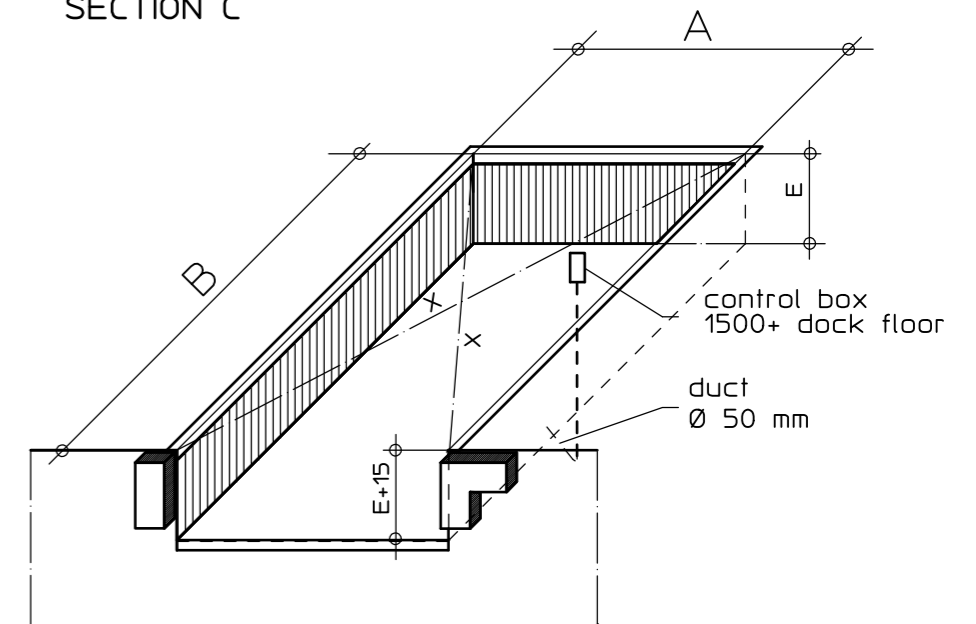
2



FRONT VIEW



SECTION B-B

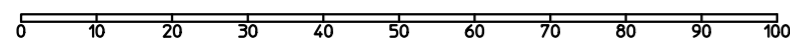


X= max. variation between diagonals is 5mm

PERSPECTIVE VIEW

for bumpers see separate drawings.

LENGTH	B ⁺⁵ / ₀	E	F ⁺⁵ / ₋₅	G	WIDTH	A ⁰ / ₋₅
20..	2065	600	525	1025	..17	1780
22..	2260	600	525	1025	..18	1860
25..	2565	600	525	1025	..20	2030
28..	2870	600	525	1025	..21	2140
30..	3065	600	525	1025	..22	2280
35..	3565	715	640	875		
40..	4065	715	640	875		
45..	4565	715	640	875		



DIMENSIONS IN mm		ROUGHNESS IN R _a IN um		TITLE Pit drawing closed pit		SCALE 1:1	
FINISH:				SP, XP and PP leveller		DWG.BY AMK	
TREATMENT:				MODELS SP/XP/PP		ASSEMBLIES	
THE DESIGN AND DRAWING ARE THE COPYRIGHT OF STERTIL BV AND MAY NOT BE COPIED OR REPRODUCED WITHOUT PRIOR PERMISSION IN WRITING TO THIRD PARTIES.				PROJECTION		DATE 08-06-07	
						CHKD.BY J.P.	
0 Released for construction				08-06-07 AMK		DIN. SIZE A3	
SYM. DESCRIPTION				ECO DATE BY		ORDERNO.	
						KOOTSTERTILLE HOLLAND	
						DWG.NO. 06100825	
						REV. 0	