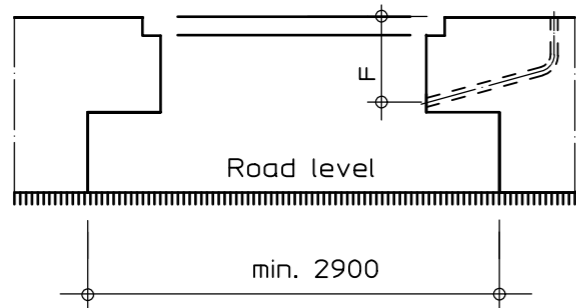
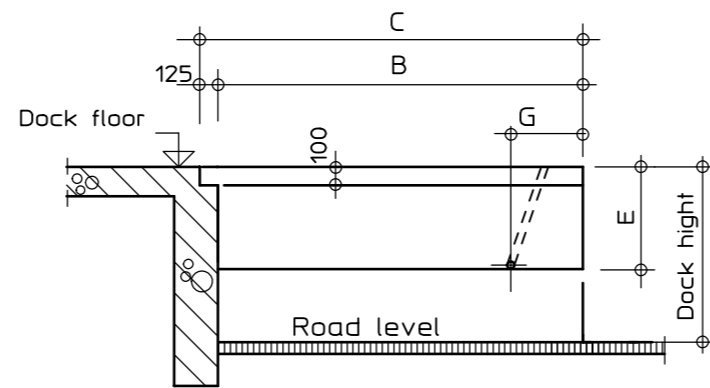


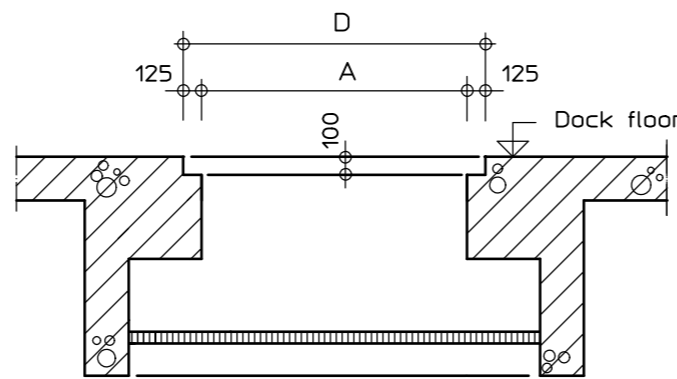
TOP VIEW



FRONT VIEW

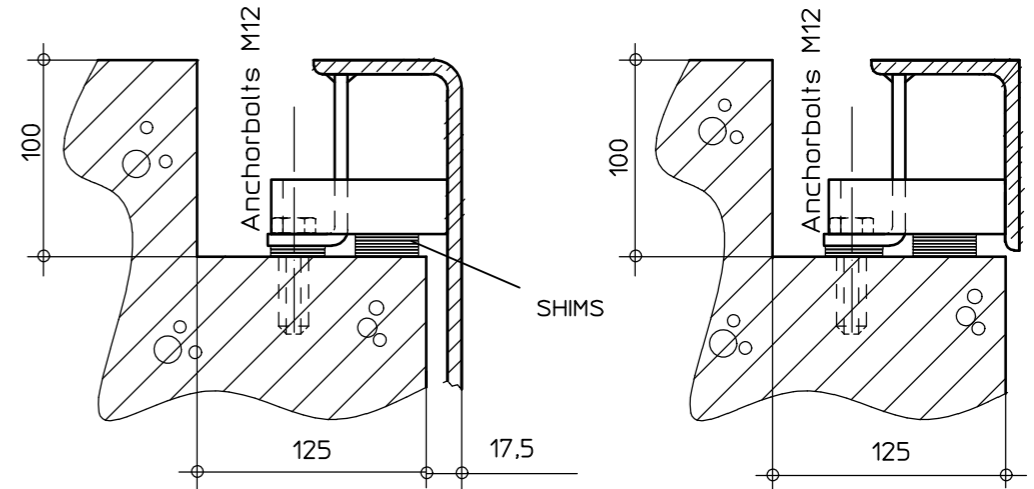


SECTION A-A



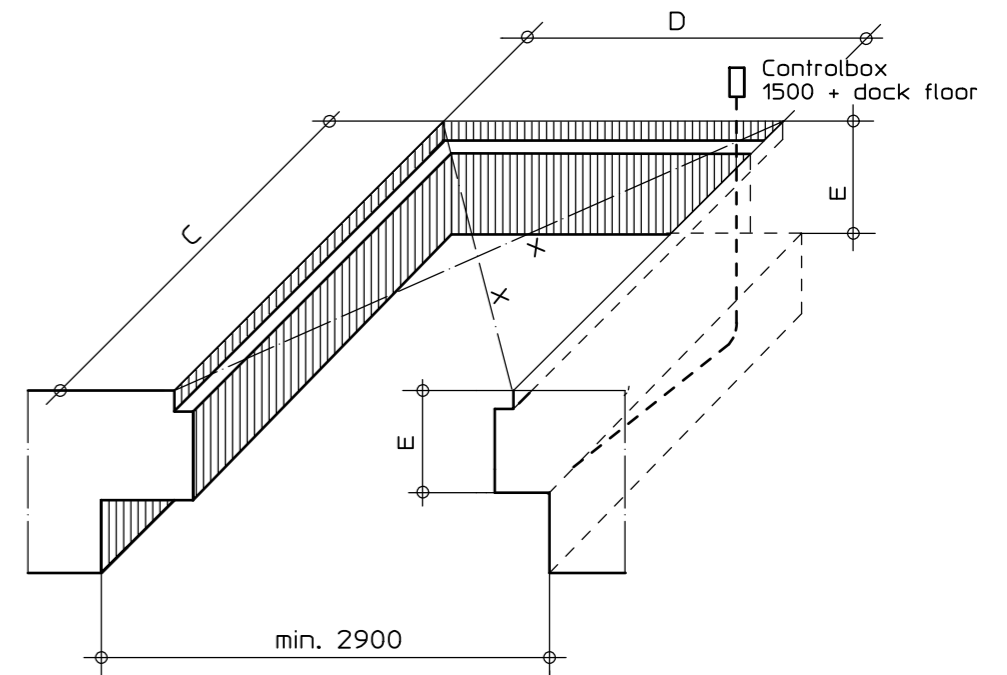
SECTION B-B

DETAIL SECTIONS OF PIT EDGES
Contractor must ensure gaps are sealed before puring concrete



SECTION 2

SECTION 1



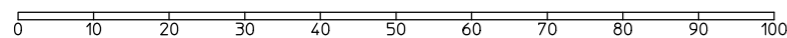
PERSPECTIVE VIEW

X = max. variation between diagonals is 5 mm

For bumpers see separate drawings.

LENGTH	B $\pm 5\%$	C	E	F $\pm 5\%$	G	WIDTH	A $\pm 5\%$	D
20..	2000	2125	585	525	1025	..17	1810	2060
22..	2195	2320	585	525	1025	..18	1890	2140
25..	2500	2625	585	525	1025	..20	2060	2310
28..	2805	2930	585	525	1025	..21	2170	2420
30..	3000	3125	585	525	1025	..22	2310	2560
35..	3500	3625	700	640	875			
40..	4000	4125	700	640	875			
45..	4500	4625	700	640	875			

ATTENTION!
For the PF-leveller dimension E is always 700 and dimension E is 640



DIMENSIONS IN mm		ROUGHNESS IN R _a IN um	
FINISH:			
TREATMENT:			
THE DESIGN AND DRAWING ARE THE COPYRIGHT OF STERTIL BV AND MAY NOT BE COPIED OR REPRODUCED WITHOUT PRIOR PERMISSION IN WRITING TO THIRD PARTIES.			
TITLE Pit drawing open pit conventional SF, XF and PF leveller		SCALE 1:1	
MODELS SF/XF/PF		ASSEMBLIES	
PROJECTION 		DATE 14-06-07	
DIN. SIZE A3		CHKD. BY J.P.	
ORDERNO.		REV. 0	
DWG. NO. 06000825			
0 Released for construction		14-06-07 AMK	
SYM.	DESCRIPTION	ECO	BY

stertil® KOOTSTERTILLE HOLLAND