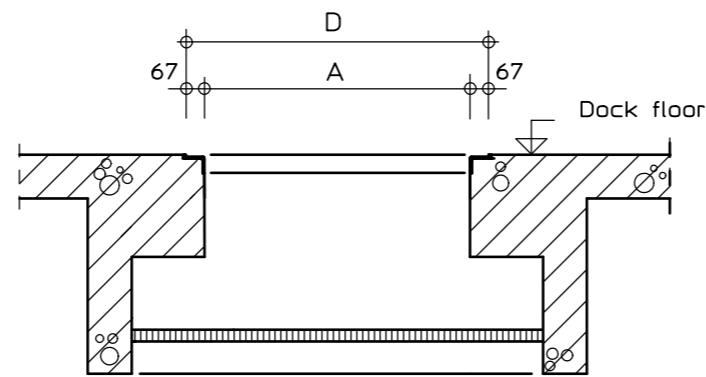
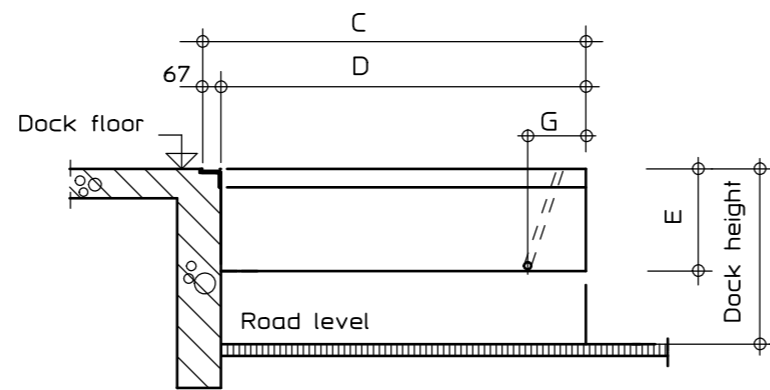
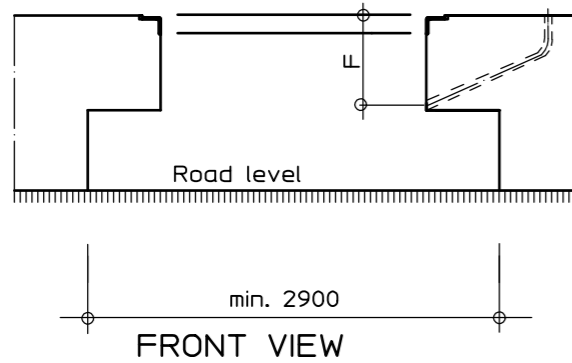
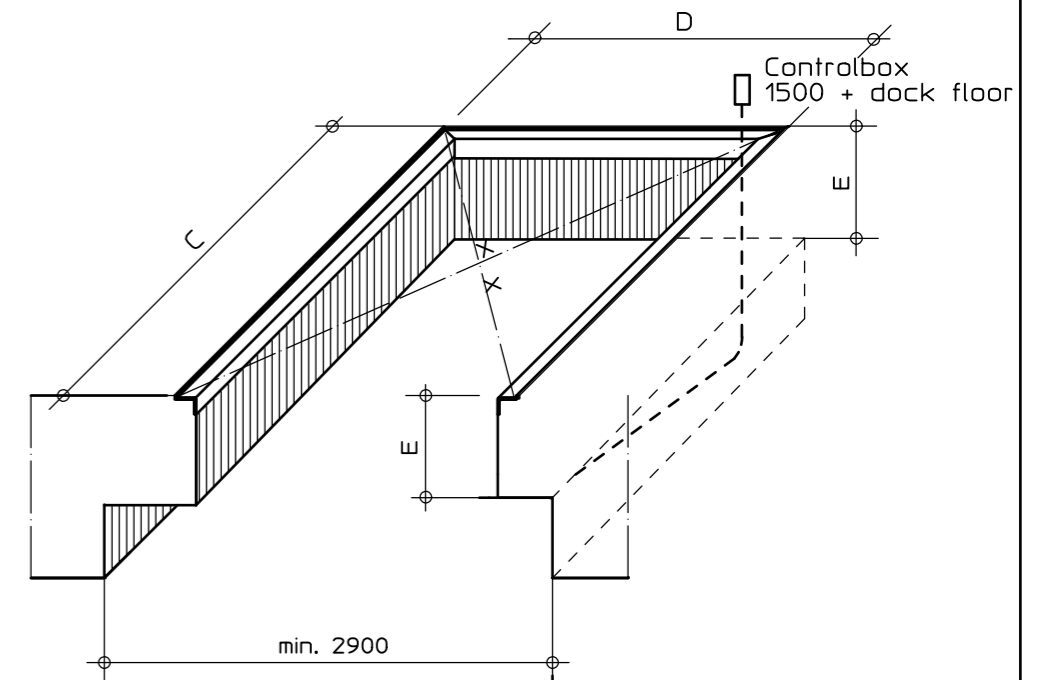
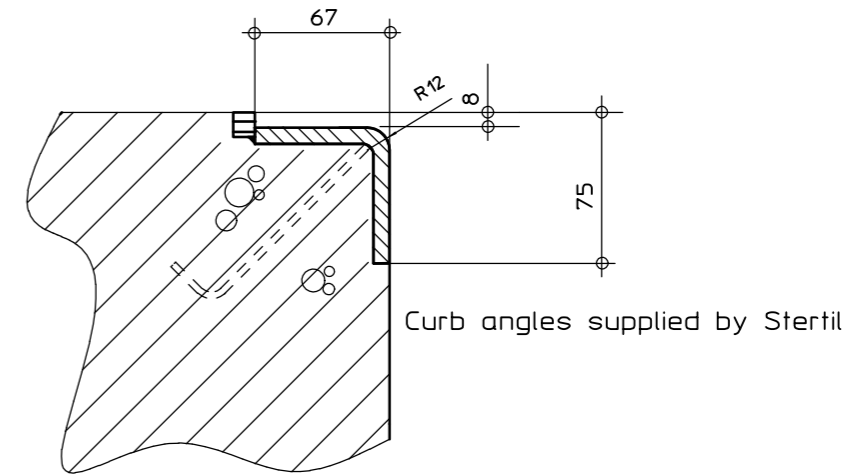


TOP VIEW



SECTION B-B

DETAIL SECTION PIT EDGE



X = max. variation between diagonals is 5 mm

For bumpers see separate drawings.

LENGTH	B $\pm 5\%$	C	E	F $\pm 5\%$	G	WIDTH	A $\pm 5\%$	D
20..	2000	2067	585	525	1025	..17	1796	1930
22..	2195	2262	585	525	1025	..18	1876	2010
25..	2500	2567	585	525	1025	..20	2046	2180
28..	2805	2872	585	525	1025	..21	2156	2290
30..	3000	3067	585	525	1025	..22	2296	2430
35..	3500	3567	700	640	875			
40..	4000	4067	700	640	875			
45..	4500	4567	700	640	875			

ATTENTION!
For the PF-leveller dimension E is always 700 and dimension F is 640

DIMENSIONS IN mm
FINISH:
TREATMENT:
ROUGHNESS IN R_q IN μm

THE DESIGN AND DRAWING ARE THE COPYRIGHT OF STERTIL BV AND MAY NOT BE COPIED OR REPRODUCED WITHOUT PRIOR PERMISSION IN WRITING TO THIRD PARTIES.

TITLE Pit drawing open pit QMS
SF, XF and PF leveller

SCALE 1:1

MODELS SF/XF/PF

ASSEMBLIES

PROJECTION

DWG.BY AMK

DATE 15-06-07

CHKD.BY J.P.

0 Released for construction

15-06-07 AMK

sterdil KOOTSTERTILLE
HOLLAND

DIN. SIZE
A3

ORDERNO.
DWG. NO. 06000826

REV. 0

